

REV/ISS	AMENDMENTS	DRAWN	CHKD	D.O.	APVD	DATE
04	UPDATED AND MOVED AERIAL SOCKET	MAJ				
03 B	UPDATED VALUES ADDED CANS TO PLA	MAJ				
03	FIXED LOTS MORE OF C.I. STUFF	DBH				
02	FIXED MORE OF C.I. STUFF	DBH				
01	FIXED C.I. STUFF	DBH				

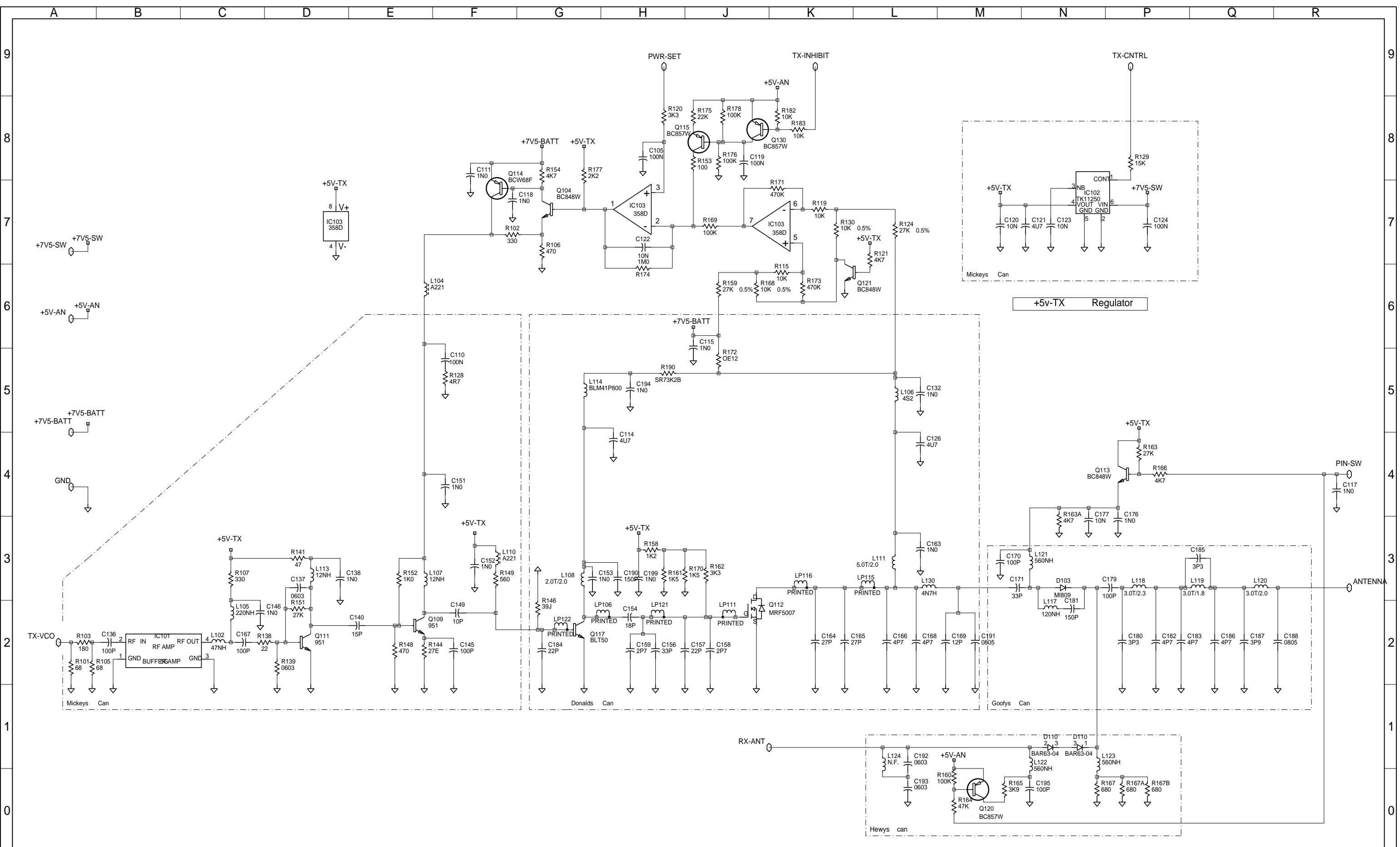
- MINI SHIELD VCO TOP
- DAFFYS SHIELD BOTM VCO
- DONALD SHIELD PA
- BUGGS SHIELD SYNTHIF
- MICKEYS SHIELD EXCITER
- GOOFYS SHIELD LPF
- MIC-SEAL MICGROMMET
- FRED SHIELD DEMOD
- JERRY SHIELD AUDIO
- HEWYS SHIELD RX
- REG SHIELD 14V REG
- DEWYS SHIELD FRONT END
- TOM SHIELD DIG CONTRL
- LEWYS SHIELD SYNTHIF

**TAIT ELECTRONICS**

ORCA :TP010-5122 400-470MHZ  
SYSTEM DIAGRAM

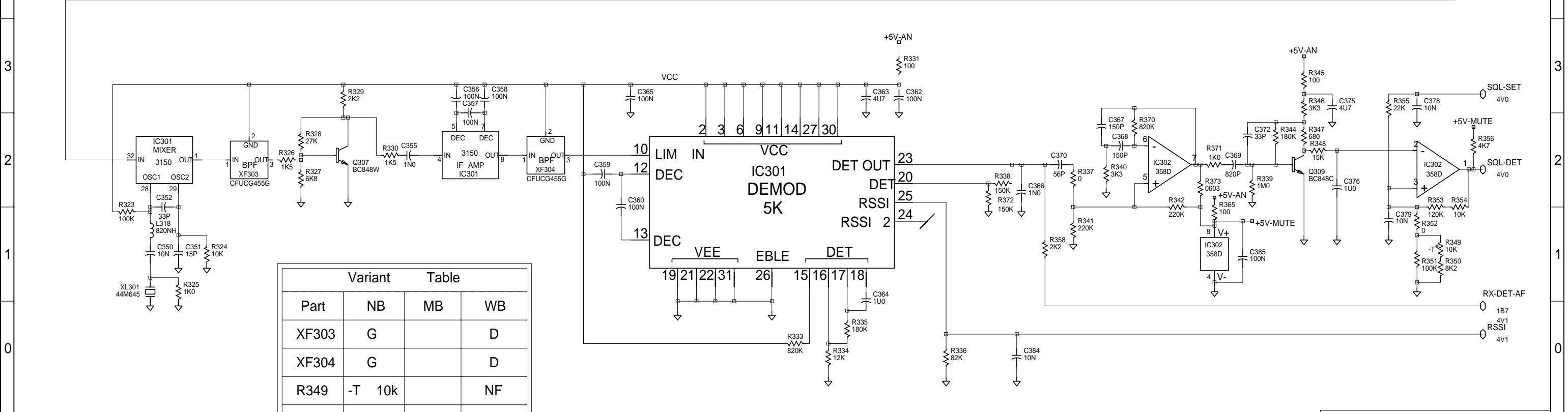
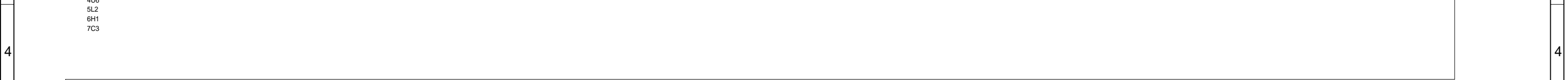
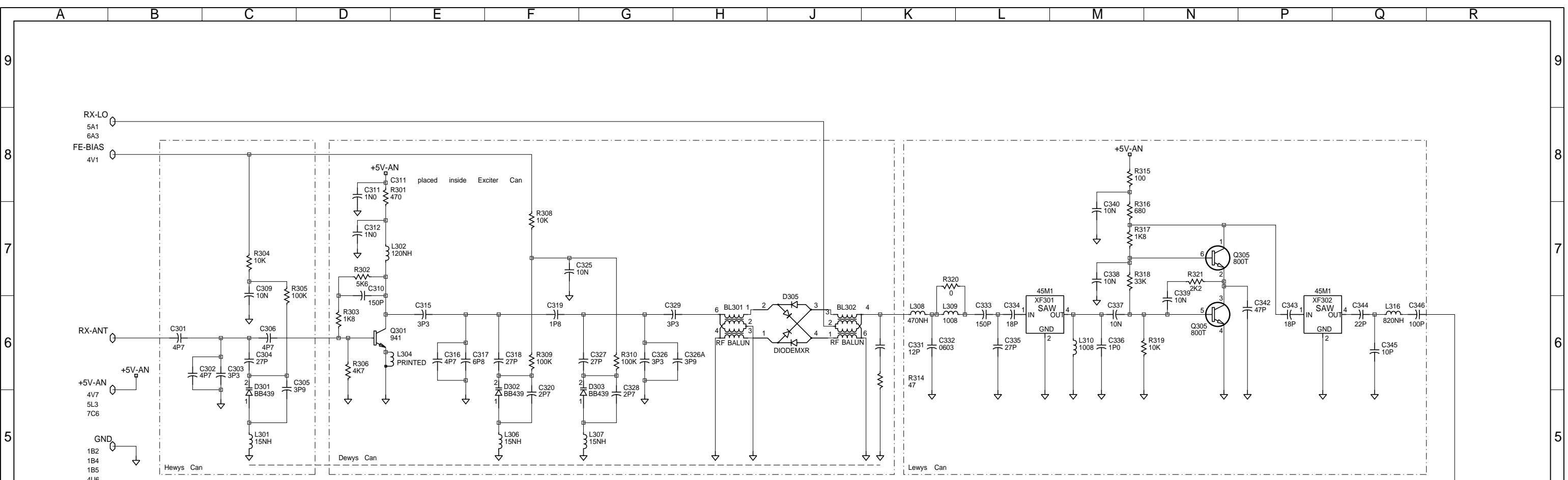
IPN: 220-01392-04    ISSUE: A    ID: 2.S.C. 1

PROJECT: ORCA    DESIGNER: MAJ    FILE NAME: 139204A    FILE DATE: 6-10-97    NO.SHEETS: 7



© TAIT ELECTRONICS  
 ORCA :TP010-5122 400-470MHZ  
 POWER AMPLIFIER  
 IPN: 220-01392-04 ISSUE: A ID: 2.S.C. 2  
 PROJECT: ORCA DESIGNER: MAJ FILE NAME: 139204A FILE DATE: 6-10-97 NO.SHEETS: 7

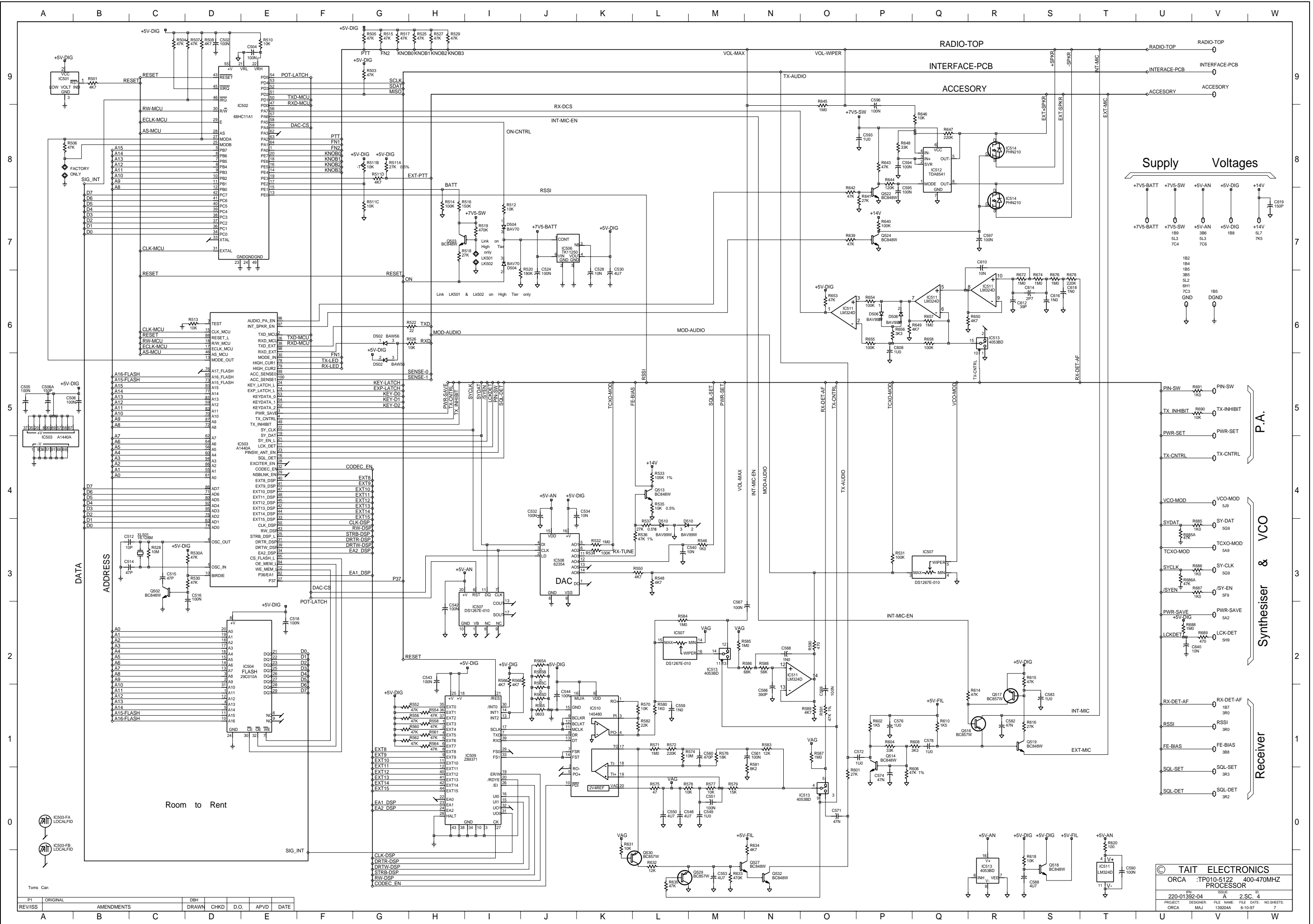
REV/ISS	AMENDMENTS	DRAWN	CHKD	D.O.	APVD	DATE
A						



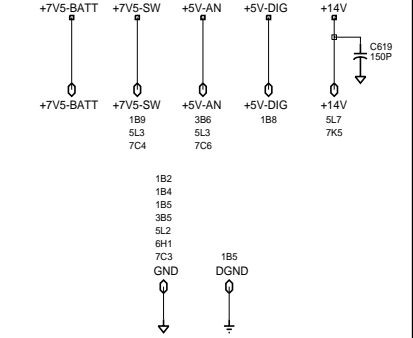
Variant Table			
Part	NB	MB	WB
XF303	G		D
XF304	G		D
R349	-T 10k		NF
R350	8k2		NF

© TAIT ELECTRONICS  
 ORCA :TP010-5122 400-470MHZ RECEIVER  
 IPN: 220-01392-04 ISSUE: A ID: 2.S.C. 3  
 PROJECT: ORCA DESIGNER: MAJ FILE NAME: 139204A DATE: 6-10-97 NO.SHEETS: 7

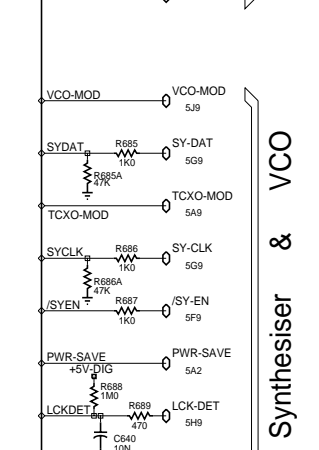
REV/ISS	AMENDMENTS	DRAWN	CHKD	D.O.	APVD	DATE
A						



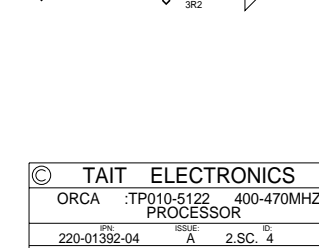
**Supply Voltages**



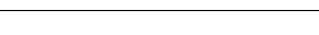
**P.A.**



**Synthesiser & VCO**



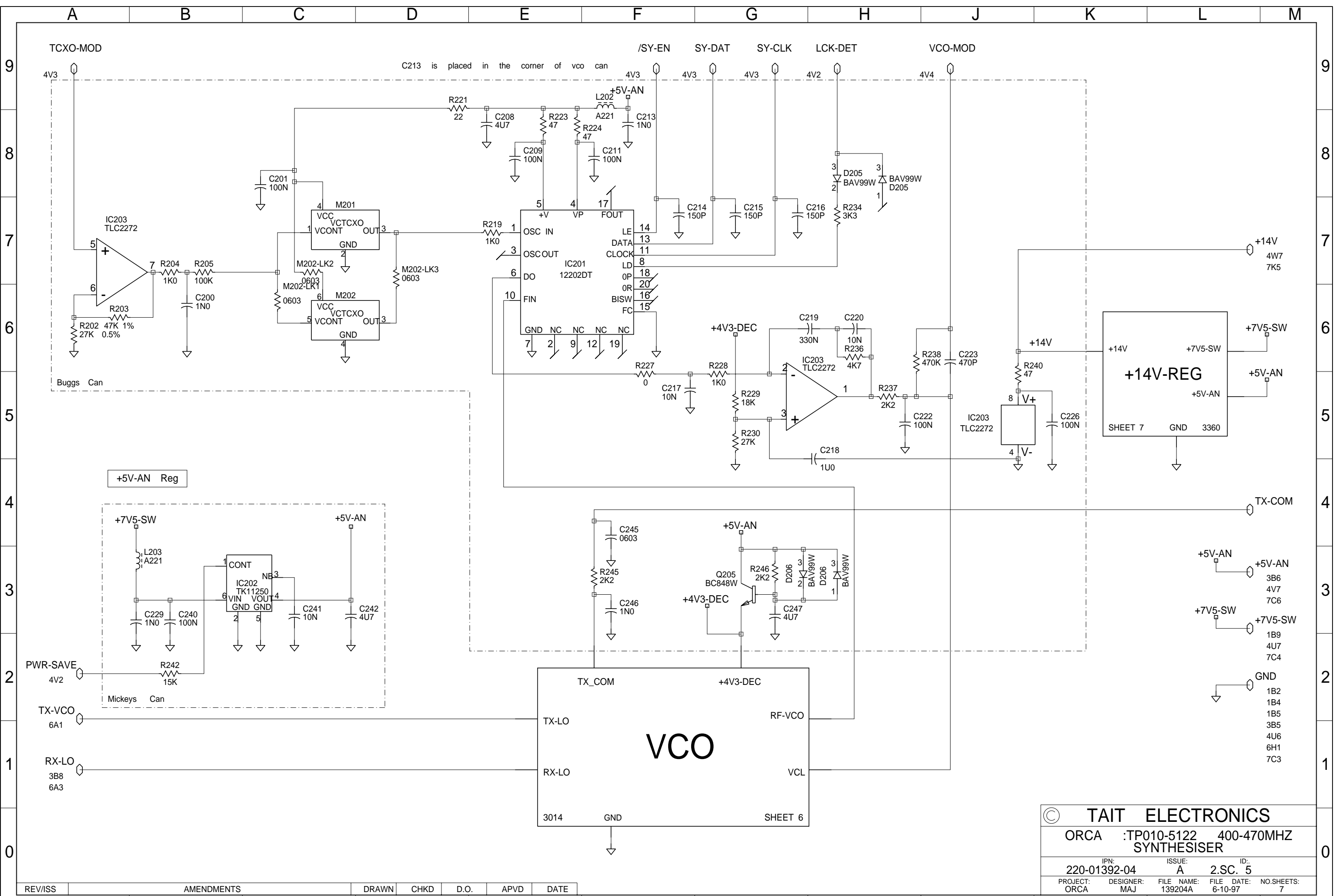
**Receiver**



REV/ISS	ORIGINAL	AMENDMENTS	DRAWN	CHKD	D.O.	APV/D	DATE
P1							

© TAIT ELECTRONICS  
 ORCA :TP010-5122 400-470MHZ  
 PROCESSOR

220-01392-04  
 PROJECT: ORCA DESIGNER: MAJ FILE NAME: 139204A FILE DATE: 6-10-97 NO SHEETS: 7



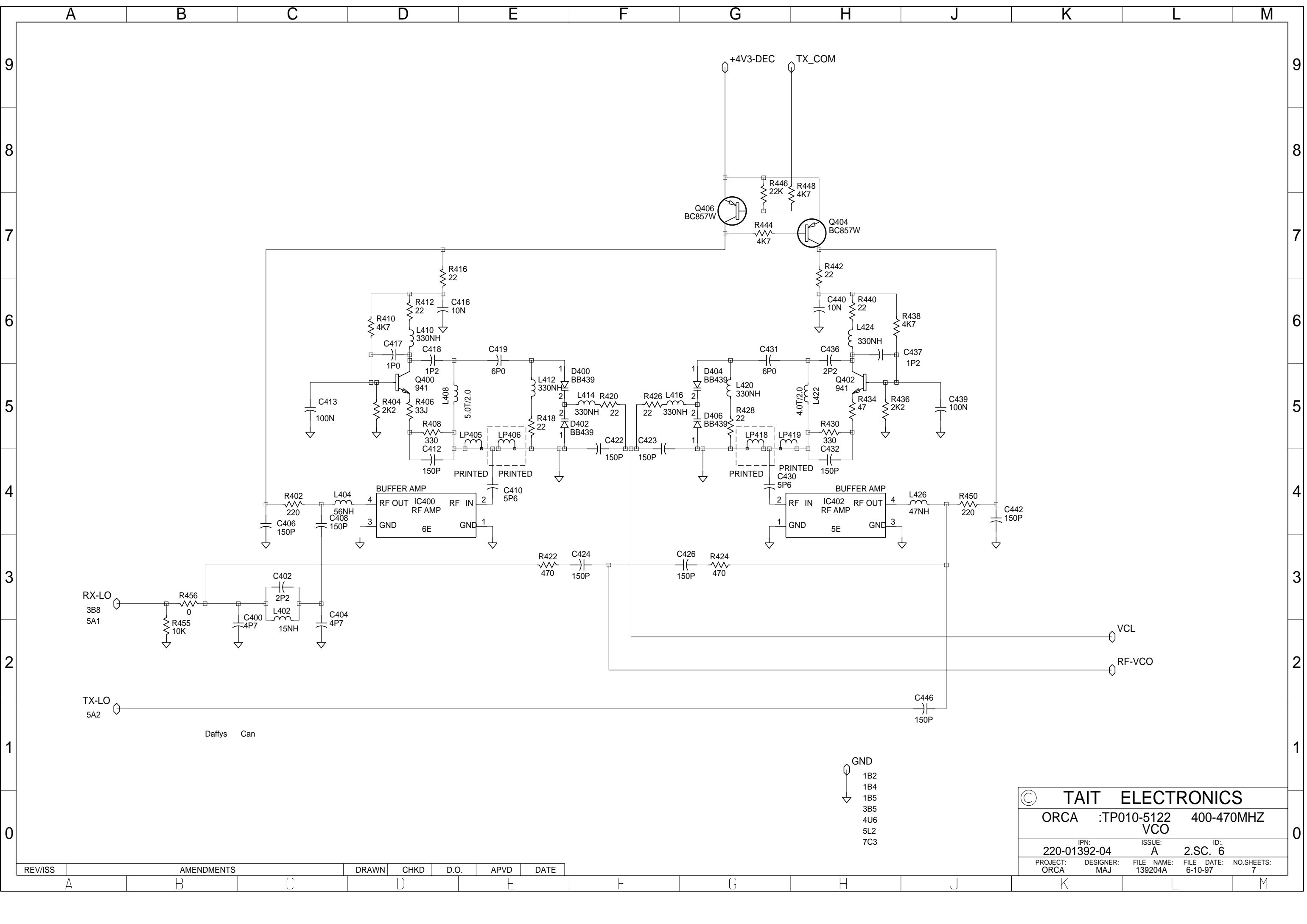
© TAIT ELECTRONICS				
ORCA :TP010-5122 400-470MHZ SYNTHESISER				
IPN:	ISSUE:	ID:		
220-01392-04	A	2.SC. 5		
PROJECT:	DESIGNER:	FILE NAME:	FILE DATE:	NO.SHEETS:
ORCA	MAJ	139204A	6-10-97	7

REV/ISS	AMENDMENTS	DRAWN	CHKD	D.O.	APVD	DATE

A B C D E F G H J K L M

9 8 7 6 5 4 3 2 1 0

9 8 7 6 5 4 3 2 1 0



Daffys Can

- GND
- 1B2
  - 1B4
  - 1B5
  - 3B5
  - 4U6
  - 5L2
  - 7C3

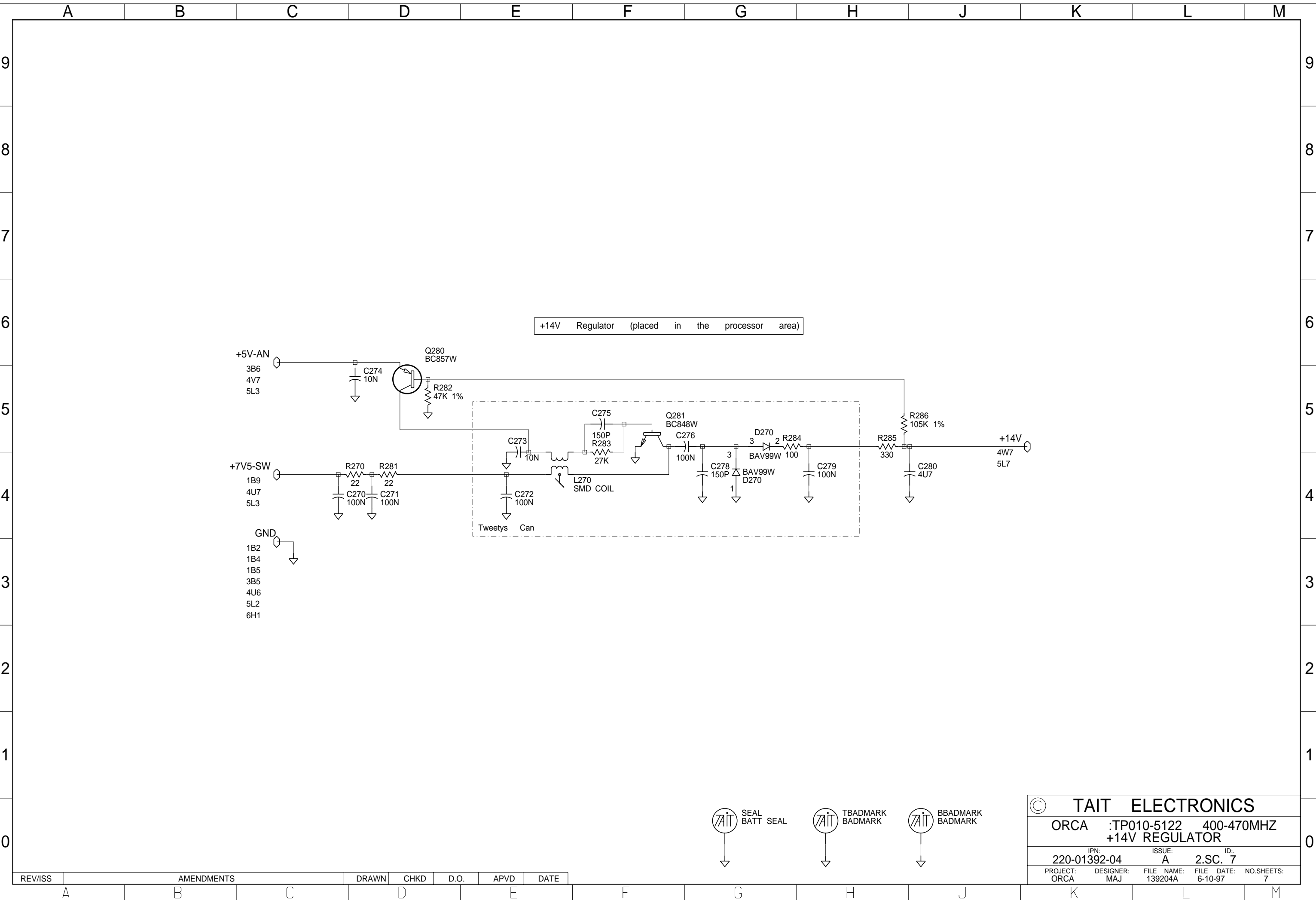
© TAIT ELECTRONICS

ORCA :TP010-5122 400-470MHZ  
VCO

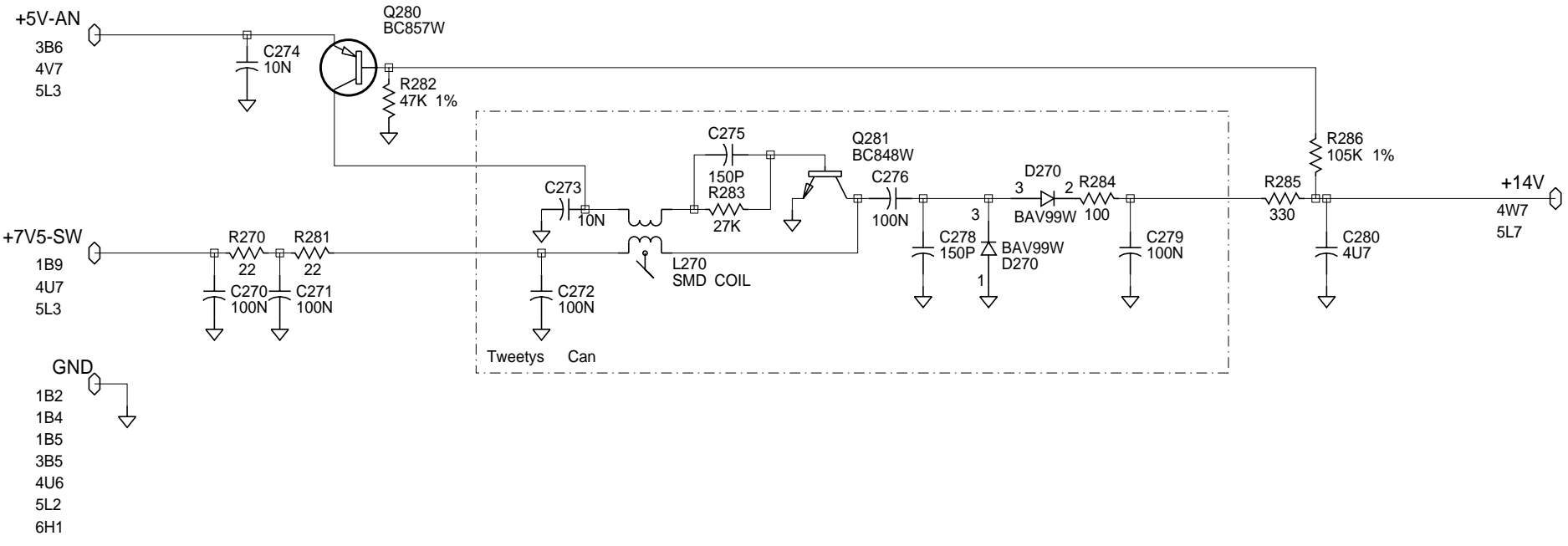
IPN: 220-01392-04 ISSUE: A ID: 2.SC. 6

PROJECT: ORCA DESIGNER: MAJ FILE NAME: 139204A FILE DATE: 6-10-97 NO.SHEETS: 7

REV/ISS	AMENDMENTS	DRAWN	CHKD	D.O.	APVD	DATE



+14V Regulator (placed in the processor area)



© TAIT ELECTRONICS				
ORCA	:TP010-5122	400-470MHZ	+14V REGULATOR	
IPN:	ISSUE:	ID:		
220-01392-04	A	2.SC. 7		
PROJECT:	DESIGNER:	FILE NAME:	FILE DATE:	NO.SHEETS:
ORCA	MAJ	139204A	6-10-97	7

REV/ISS	AMENDMENTS	DRAWN	CHKD	D.O.	APVD	DATE
---------	------------	-------	------	------	------	------